

Air & Water[®]
TECHNOLOGY

Chem-Kleen[®]

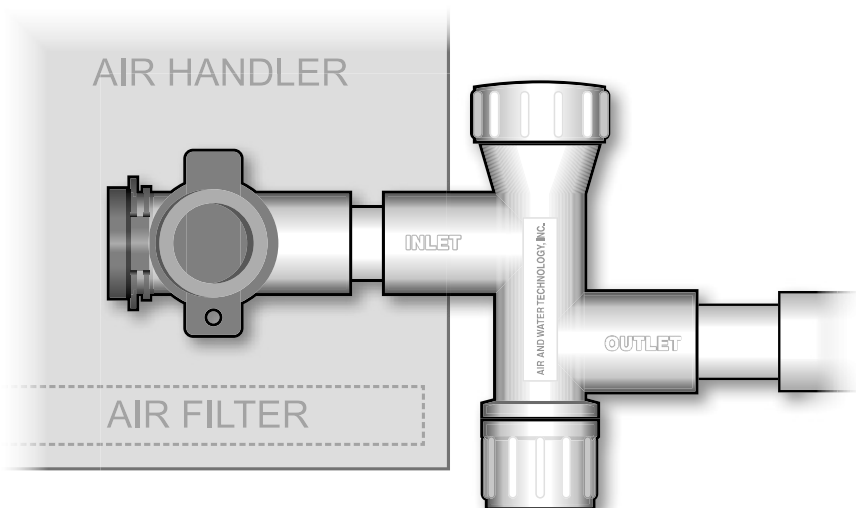
U.S. Patent No. 6,651,690

Model No. CD0-001

A/C Chemical Drain Line Cleaner

Chemical Delivery System

A cleaning & maintenance system
for $\frac{3}{4}$ " A/C condensate lines.



Air and Water Technology is a manufacturer of specialty hardware for the HVAC/R and the plumbing industry. See our web site at www.airwatertech.com



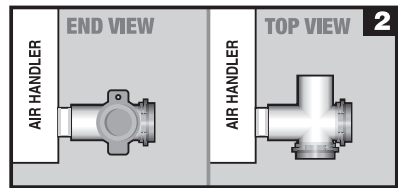
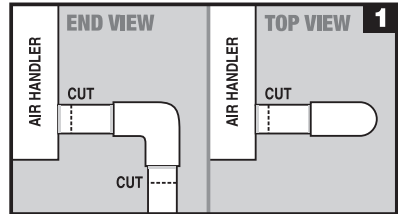
General Product Installation Instructions:

This product should be strictly installed only by an experienced and knowledgeable A/C professional technician. Where applicable apply PVC pipe cleaner and PVC adhesive glue to Chem-Kleen® system installation. This product can be mounted offset from air handler not to block A/C air filter removal. (See diagram)

Existing A/C drain pipe Installation:

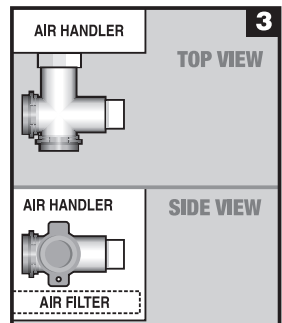
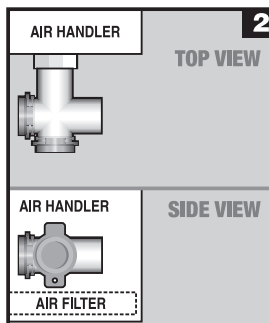
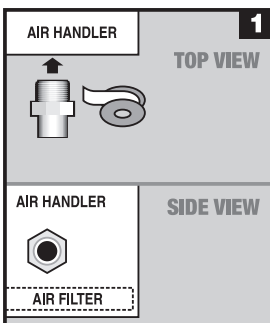
1. Simply cut the appropriate amount of existing A/C air handler condensation pipe line to accommodate the $\frac{3}{4}$ " 90° elbow dual cleanout adapter and Chem-Kleen® body parts only. This should be as close to the handler as possible.
2. Place end of $\frac{3}{4}$ " 90° elbow dual cleanout adapter onto the just cut existing drain pipe. It should run horizontally & plum in front of the A/C air handler.

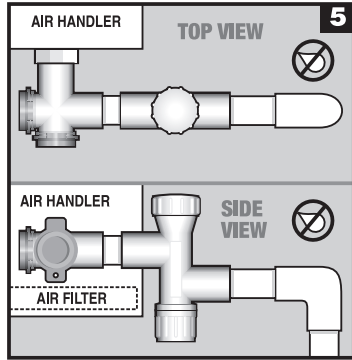
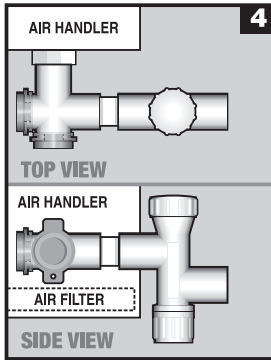
Proceed to step 3 of New Installation below.



New A/C drain pipe adapter Installation:

1. Screw $\frac{3}{4}$ " male tapered threaded slip adapter directly to the A/C handler drain outlet on the primary A/C drain pan. This requires Teflon Tape to ensure a water-tight seal.
2. Place end of $\frac{3}{4}$ " 90° elbow dual cleanout adapter into the male slip adapter to run horizontally & plum in front of the A/C air handler.
3. Attach a pipe stub onto the end of the elbow dual cleanout adapter.
4. Slip the Chem-Kleen® body inlet end onto the end of pipe stub.
5. Attach the outlet end of the Chem-Kleen® body to the remaining condensation pipe line that runs to outside of the building for A/C water discharge. Check for plumbing leaks.





Note: This Chem-Kleen® model design is suitable for use with 3/4" outlet only and may not handle larger commercial tonnage units. Please consult your A/C manufacture. This product should only be installed by an experienced & knowledgeable installer. Chem-Kleen® must be installed strictly in accordance with manufacture instructions to insure proper operation including any & all local plumbing and drain codes as applicable.



How Chem-Kleen® Chemical Delivery was designed to work:

Chem-Kleen® is a U.S. patent product made from durable PVC plastic and has a simple large but friendly threaded twist on/off top cap with a wide funnel body top for dispensing of both liquids & solid chemical tablets and has a removable cleanout trap bottom cap. This product includes a truly unique water back flow resistant system that differentiates between inlet & outlet drop for intend placement of corrosive chemical cleaner safely down stream away from A/C Air Handler preventing needless corrosion to A/C coil system.

First, it collects undesirable particles, traps dust, dirt and sediment from water output of evaporator coils in your drain pan to our Chem-Kleen® delivery system.

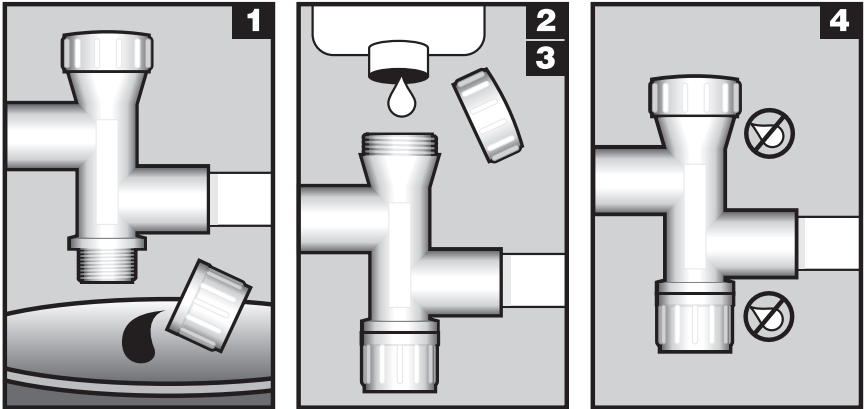
Second, it destroys and removes any build up of biological infestation of algae, mold, fungus, mildew, sludge and slime keeping your drainpipes maintenance free when chemicals are periodically used when cleaning A/C drain lines down stream with water discharge. It also stops water overflow backup damage and A/C drain line odors. It comes with an innovated dirt trap system with removable bottom o-ring water tight cap for easy maintenance clean out method and designed for long term reliability.



General Product Cleaning Instructions:

It is recommended to apply new chemicals to your Chem-Kleen® delivery system at the same time your A/C air filter is changed.

1. Place a bucket or water pan under Chem-Kleen® before opening bottom cap (bowl). Remove bottom cap of Chem-Kleen® device and discard any sediment and dirt left behind and secure bottom water tight cap.
 2. Open the top of cap and either pour liquids or drop chemical pan tablets for cleaning drain line. It's that simple!
 3. Use EPA approved chemical and follow all chemical instructions. Alternatively, you can apply 1:9 ratio home bleach and water cleaning solution.
 4. Check bottom cap if properly tighten for any leaks and you're done.
- * **Optional small Wet Vac cleaning method: For easy drainline cleanout just remove top cap and place Wet-Vac hose into the top opening. Vacuum out sludge and slime from A/C drain pipe.**



Note: Chem-Kleen® comes with a water tight o-ring chemical resistant bottom cap system. This o-ring is made from EPDM (Ethylene Propylene Diene Monomer). No other type of o-rings are to be replaced or used on this Chem-Kleen® device.

Important Safely Chemical reminder: This CHEM-KLEEN® delivery system is intended for adult use only... Chemicals are like any other potentially dangerous item they should be handled with care. Please store all chemicals properly and have them kept in a safe place out of the reach of children and pets. Before using any chemicals with our system read all precautionary warning statements and follow all label instructions.

It is also recommended to maintain a scheduled inspection of your A/C drain line pipe as needed for optimum drain performance especially during summer time operations.

Chem-Kleen® Limited Warranty

Air & Water Technology, Inc. (AWT) disclaims all implied and expressed warranties, including the implied warranty of merchantability and the implied warranty for fitness for a particular purpose, except as follows:

Chem-Kleen® purchased by the consumer is unconditionally warranted to be free from defects in material and workmanship under normal use for a period of (1) one year from original date of purchase, providing it is installed and operated strictly in accordance with manufacture installation instructions. If this product is to be found defective or otherwise fails in normal use you may return it for replacement. All shipping charges for the return of this product shall be accepted by you the consumer. AWT will pay outgoing freight charges for replacement of product.

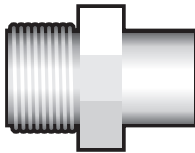
Defective products returned to Air & Water Technology, Inc. will be prepaid and at AWT's option repaired or replaced free of charge. Replacement of product will be based upon availability and AWT inventory to be a similar type and kind. AWT retains the right to substitute product if replacement product does not conform to terms of color, type and specifications to the original product, if no longer available.

This warranty does not cover replacement labor or any cost, claim or incident to any defect nor does it cover any consequential damages. The sole liability of the manufacturer under this warranty is limited to the replacement of defective product only. Product damaged by improper use, accident, and neglect, alterations, abuse or improper installation is excluded from this warranty.

AWT reserves the right to visit the site of the installation or require documentation of the claim before assuming any responsibility under the provisions of this Warranty. U.S. consumer legal rights under law may vary from state to state.

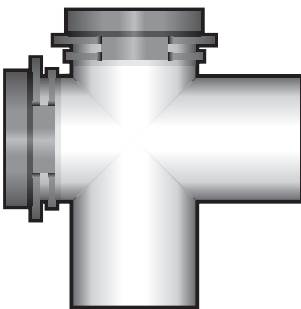
Chem-Kleen® Water Chemical Delivery System

Model No. CDO-001 Parts

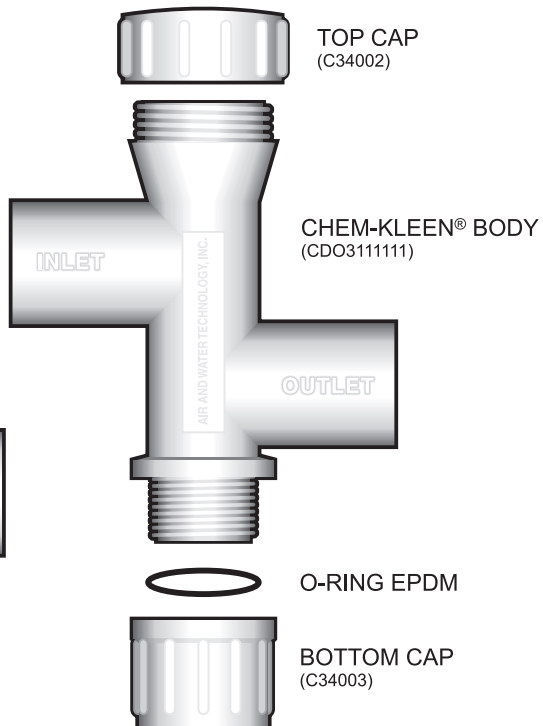


MALE TAPERED
THREADED SLIP
ADAPTER
(A34001)

RED CAPS (2)
(WT00207)



90° ELBOW DUAL
CLEANOUT ADAPTER
(FWA001)



TOP CAP
(C34002)

CHEM-KLEEN® BODY
(CDO3111111)

O-RING EPDM

BOTTOM CAP
(C34003)

Chem-Kleen® Benefits:

- Traps sediment particles from A/C drain pan into collector cap.
- Eliminates build up of algae, mold, fungus, mildew plus sludge & slime and odors.
- Keeps A/C drain line system maintenance-free.
- Reduces water damage from drain line backup.
- Eliminates mess & unnecessary service calls.
- Saves time, labor & money.
- Available in standard ¾" pipe for residential and commercial use.
- Removable airtight cap facilitates addition of liquid bleach, algaecide, or pan tablets.
- Removable bottom collector cap facilitates easy cleaning of dirt & sediment particles.
- Constructed of durable white schedule 40 PVC (Polyvinyl chloride).
- For residential & commercial use.
- No access needed to open air handler system for placing chemicals.
- Bottom cap O-ring is a chemical resistant water tight seal made from EPDM (Ethylene Propylene Diene Monomer).
- Wet Vac friendly cleanout system.

Bag contents:

- One Chem-Kleen® PVC body
- One ¾" PVC threaded screw male slip adapter
- One ¾" PVC 90° elbow dual cleanout adapter
- One Instruction sheet

**Our company motto is simple:
"Offer safe, easy and reliable solutions
for the HVAC/R and plumbing Industry."**

2293 West 76th Street • Hialeah, FL 33016
305 823-8191 • fax: 305 823-8192

www.airwatertech.com