

Air & Water[®]
TECHNOLOGY

Chem-Kleen[®]

U.S. Patent No. 6,651,690

Model No. CDO-001

A/C Chemical Drain Line Cleaner

Chemical Delivery System

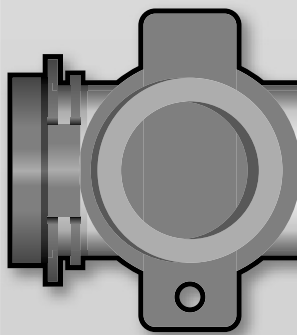
A cleaning & maintenance system
for 3/4" A/C condensate lines.

Chem-Kleen[®] collects undesirable particles, traps dust, dirt and sediment from water output of evaporator coils in your drain pan to our Chem-Kleen[®] delivery system. It destroys and removes any build up of biological infestation of algae, mold, fungus, mildew, sludge and slime keeping your drainpipes maintenance free when chemicals are periodically used when cleaning A/C drain lines down stream with water discharge. It also stops water over-flow backup damage and A/C drain line odors.

Chem-Kleen[®] Benefits:

- Traps sediment particles from A/C drain pan into collector cap.
- Eliminates build up of algae, mold, fungus, mildew plus sludge & slime and odors.
- Keeps A/C drain line system maintenance-free.
- Reduces water damage from drain line backup.
- Eliminates mess & unnecessary service calls.
- Saves time, labor & money.
- Available in standard 3/4" pipe for residential and commercial use.
- Removable airtight cap facilitates addition of liquid bleach, algacide, or pan tablets.
- Removable bottom collector cap facilitates easy cleaning of dirt & sediment particles.
- Constructed of durable white schedule 40 PVC (Polyvinyl chloride).
- For residential & commercial use.
- No access needed to open air handler system for placing chemicals.
- Bottom cap O-ring is a chemical resistant water tight seal made from EPDM (Ethylene Propylene Diene Monomer).
- Wet Vac friendly cleanout system.

AIR HANDLER



AIR FILTER

INLET



OUTLET

This product is friendly and works well with other manufacturer's electronic A/C emergency water backup systems on the market.

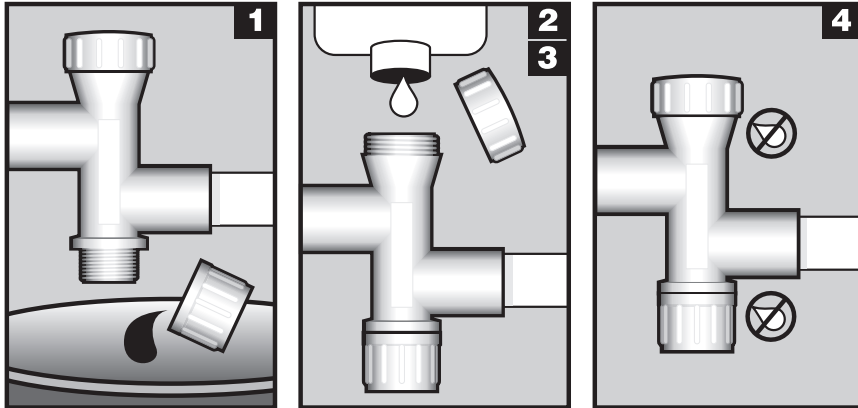
For the ultimate in A/C maintenance, try one of our Wizard-Kleen[®] Flushing products in tandem with the Chem-Kleen[®] Chemical Delivery System!

General Product Cleaning Instructions:

It is recommended to apply new chemicals to your Chem-Kleen® delivery system at the same time your A/C air filter is changed.

1. Place a bucket or water pan under Chem-Kleen® before opening bottom cap (bowl). Remove bottom cap of Chem-Kleen® device and discard any sediment and dirt left behind and secure bottom water tight cap.
 2. Open the top of cap and either pour liquids or drop chemical pan tablets for cleaning drain line. It's that simple!
 3. Use EPA approved chemical and follow all chemical instructions. Alternatively, you can apply 1:9 ratio home bleach and water cleaning solution.
 4. Check bottom cap if properly tighten for any leaks and you're done.
- * Optional small Wet Vac cleaning method: For easy drainline cleanout just remove top cap and place Wet-Vac hose into the top opening. Vacuum out sludge and slime from A/C drain pipe.

Note: Chem-Kleen® comes with a water tight o-ring chemical resistant bottom cap system. This o-ring is made from EPDM (Ethylene Propylene Diene Monomer). No other type of o-rings are to be replaced or used on this Chem-Kleen® device.

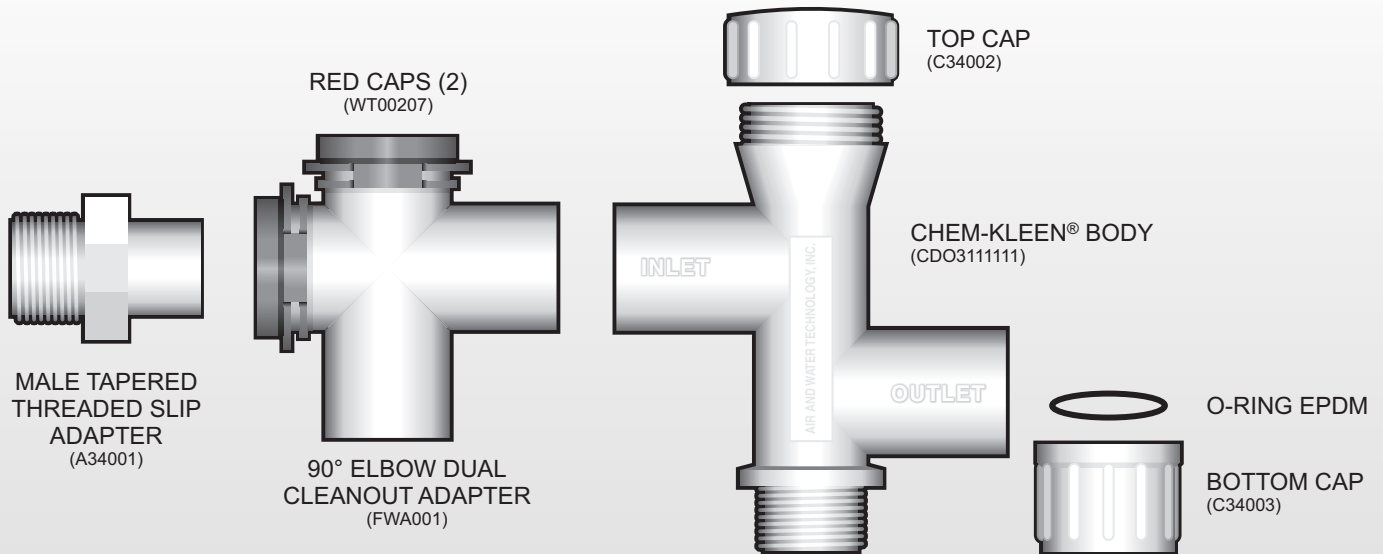


Important Safely Chemical reminder:

This CHEM-KLEEN® delivery system is intended for adult use only... Chemicals are like any other potentially dangerous item they should be handled with care. Please store all chemicals properly and have them kept in a safe place out of the reach of children and pets. Before using any chemicals with our system read all precautionary warning statements and follow all label instructions.

It is also recommended to maintain a scheduled inspection of your A/C drain line pipe as needed for optimum drain performance especially during summer time operations.

Chem-Kleen® Water Chemical Delivery System Model No. CDO-001 Parts



Our company motto is simple:

"Offer safe, easy and reliable solutions for the HVAC/R and plumbing Industry."

2293 West 76th Street • Hialeah, FL 33016 • 305 823-8191 • fax: 305 823-8192

www.airwatertech.com